
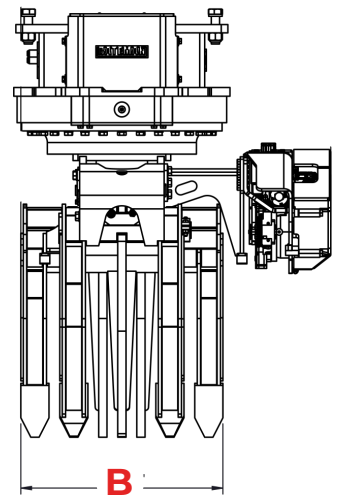
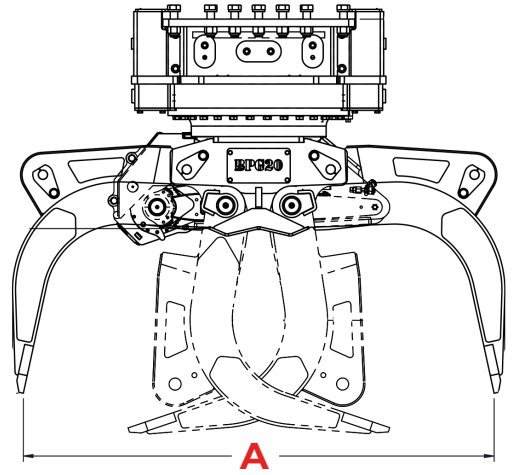
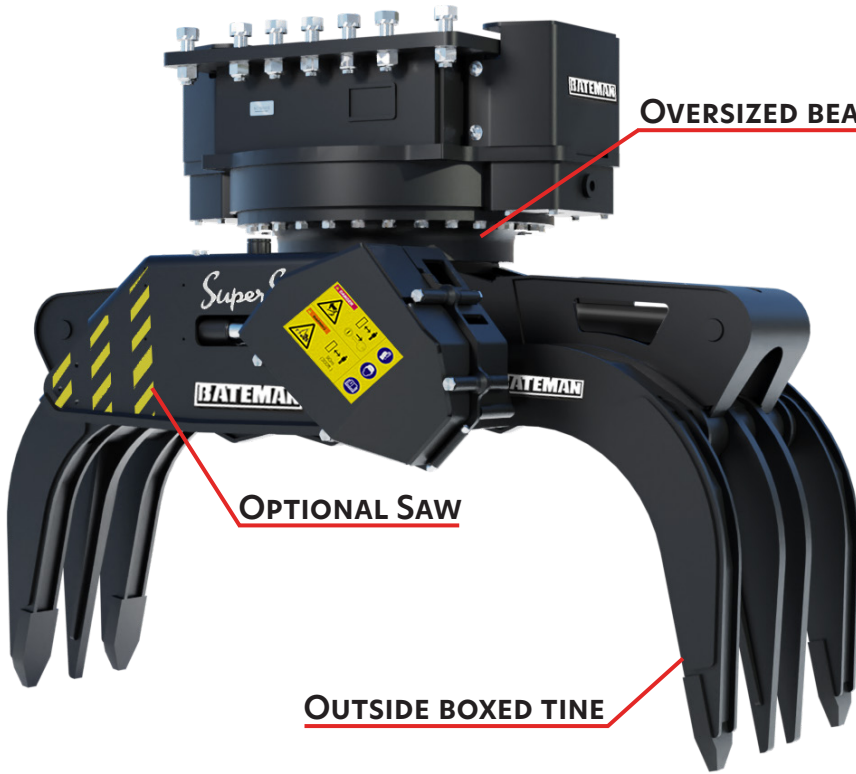


WOODRAKE POWER GRAPPLE

BPG-WR Series

All parts available
within 24 hours 



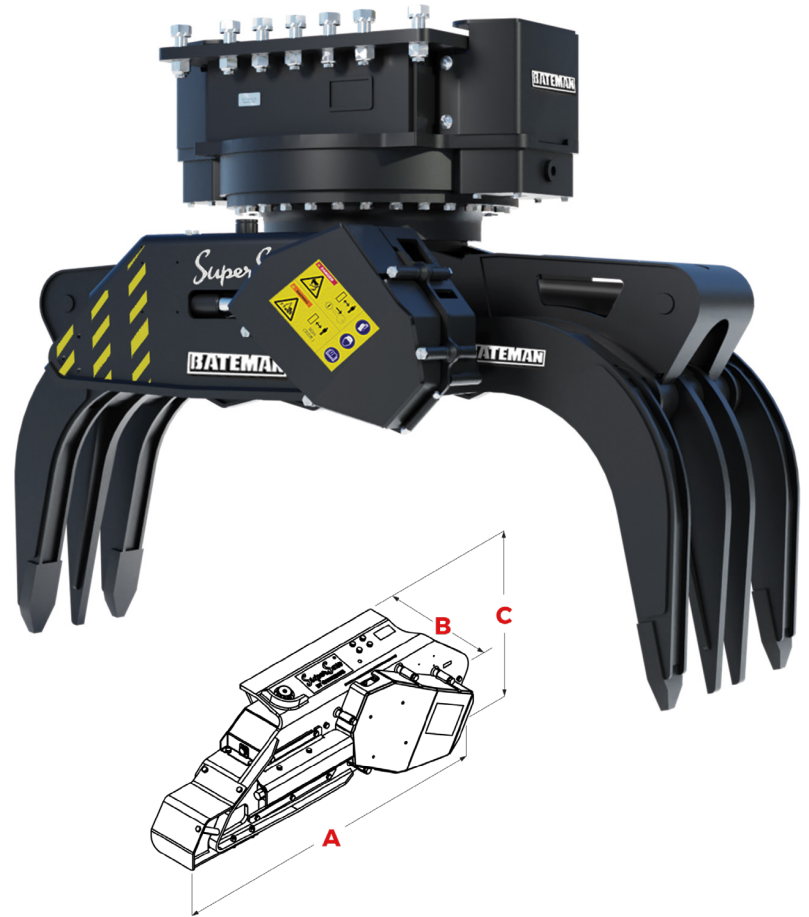
**BY-PASS AVAILABLE
IN 3-2 OR 4-3 TINES**

	BPG100-32WR-056	BPG100-32WR-060	BPG160-32WR-068	BPG160-43WR-068	BPG200-32WR-072	BPG200-43WR-072	BPG300-32WR-086	BPG300-43WR-086	BPG300-43WR-096	BPG400-43WR-116	
 Carrier Weight	4-10	5-16	5-27	5-27	9-40	9-40	13-40	13-40	25-50	25-50	
A Max. opening (in)	56'	60	68	68	72	72	86	86	96	116	
B Width (in)	22'	23	26	32	26	36	30	42	42	42	
Tine by-pass configuration	3-2	3-2	3-2	4-3	3-2	4-3	3-2	4-3	4-3	4-3	
Area tip to tip (ft ²)	2	2.8	3.6	3.6	4	4	6.4	6.4	10	12	
Cylinder size	3.00	3.00	3.50	3.50	3.50	3.50	4.00	4.00	4.00	5.00	
Cylinder Max. pressure	3000	3000	3000	3000	5000	5000	5000	5000	5000	5000	
Weight (lb)	750	1050	1200	1400	1650	1800	2530	2900	4400	4800	
Saw Bar compatibility	<input type="checkbox"/> <input type="checkbox"/> 555 650	<input checked="" type="checkbox"/> <input type="checkbox"/> 555 650	<input checked="" type="checkbox"/> <input type="checkbox"/> 555 650	<input checked="" type="checkbox"/> <input type="checkbox"/> 555 650	<input checked="" type="checkbox"/> <input checked="" type="checkbox"/> 555 650	<input checked="" type="checkbox"/> <input checked="" type="checkbox"/> 555 650	<input checked="" type="checkbox"/> <input checked="" type="checkbox"/> 555 650	<input checked="" type="checkbox"/> <input checked="" type="checkbox"/> 555 650	<input checked="" type="checkbox"/> <input checked="" type="checkbox"/> 555 650	<input type="checkbox"/> <input checked="" type="checkbox"/> 555 650	<input type="checkbox"/> <input type="checkbox"/> 555 650

MODEL SB555S



MODEL SB650S



Saw Bar Model		SB555S-10	SB555S-19	SB555S-19+	SB650S	SB650S+
Saw Motor Displacement	cu. in (cm ³)	0.61 (10)	1.16 (19)	1.16 (19)	2.44 (40)	2.44 (40)
Weight	lb (kg)	375 (170)	375 (170)	375 (170)	584 (265)	584 (265)
Length (A)	in (mm)	47 (1 195)	47 (1,195)	52 1/2 (1 313)	55 (1 397)	60 (1 500)
Width (B)	in (mm)	13 1/8 (332)	13 1/8 (332)	13 1/8 (332)	15 (383)	15 (383)
Height (C)	in (mm)	18.3 (465)	18.3 (465)	18.3 (465)	20 (511)	20 (511)
Min. Hydraulic Pressure	PSI (Bar)	3,200 (221)	3,200 (221)	3,200 (221)	3,100 (214)	3,100 (214)
Min. Hydraulic Flow	gpm (l/m)	30 (136)	39 (177)	39 (177)	55 (250)	55 (250)
Chain Model		404-18H	404-18H	404-18H	750-11H	750-11H
Saw Bar	in (cm)	35 (90)	35 (90)	39 (100)	39 (100)	45 (115)
Saw Bar Feed System		Pressure Line	Pressure Line	Pressure Line	Return Line	Return Line